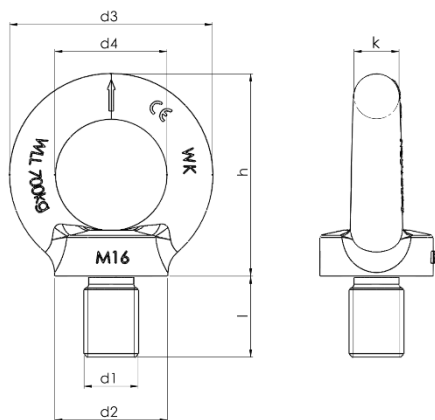


Øjeskrue, DIN 580 / Galvaniseret
Eyebolts, DIN 580

SCANMARC



Vare Nr. Item-no.	D1 mm	D2 mm	D3 mm	D4 mm	H mm	K mm	L mm
801006	M6	20	36	20	36	8	13,0
801008	M8	20	36	20	36	8	13,0
801010	M10	25	45	25	45	10	17,0
801012	M12	30	54	30	53	12	20,5
801014	M14	35	63	35	62	14	27,0
801016	M16	35	63	35	62	14	27,0
801018	M18	40	72	40	71	16	30,0
801020	M20	40	72	40	71	16	30,0
801022	M22	50	90	50	90	20	36,0
801024	M24	50	90	50	90	20	36,0
801027	M27	55	96	50	97	20	45,0
801030	M30	65	108	60	109	24	45,0
801033	M33	75	126	70	128	28	54,0
801036	M36	75	126	70	128	28	54,0
801039	M39	85	144	80	147	32	63,0
801042	M42	85	144	80	147	32	63,0
801045	M45	100	166	90	168	38	68,0
801048	M48	100	166	90	168	38	68,0
801052	M52	110	184	100	187	42	78,0
801056	M56	110	184	100	187	42	78,0
801064	M64	120	206	110	208	48	90,0
801072	M72	150	260	140	260	60	100,0
801080	M80	170	296	160	298	68	112,0
8010100	M100	190	330	180	330	75	130,0